

VT7BB or VT7BBS - B10 - B10 - 1 R 00 - A 1 00 -

VT7BB series - ISO 2 bolts 3019-2

mounting flange 100 A2 HW

VT7BBS series- SAE B 2 bolts

Mounting flange J744

Cam ring for "P1" & "P2"

Volumetric displacement cm³/rev (in³/rev)

B02 = 5.8 (0.35) B09 = 28.0 (1.71)

B03 = 9.8 (0.60) B10 = 31.8 (1.94)

B04 = 12.8 (0.78) B11 = 34.9 (2.13)

B05 = 15.9 (0.97) B12 = 40.9 (2.50)

B06 = 19.8 (1.21) B14 = 45.1 (2.75)

B07 = 22.5 (1.37) B15 = 50.0 (3.05)

B08 = 24.9 (1.52)

Type of shaft VT7BBS

1 - keyed (no SAE)

2 - keyed (SAE BB)

3 - splined (SAE B)

4 - splined (SAE BB)

Type of shaft VT7BB- VT7BBS

5 - keyed (ISO R775)

Modifications

Mounting W/connection variables

	UNC VT7BBS		METRIC VT7BB-VT7BBS	
	00	01	M0	M1
P1	1"	3/4"	1"	3/4"
P2	3/4"			
S	2 1/2"			

Seal class

1 - S1 (for mineral oil)

4 - S4 (for fire resistant fluids)

5 - S5 (for mineral oil and fire resistant fluids)

Design letter

Porting combination (see page BM-1-5)

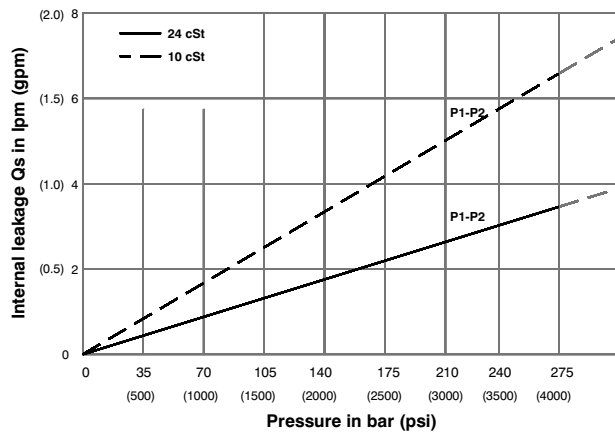
00 - standard

Direction of rotation (view on shaft end)

R - clockwise

L - counter-clockwise

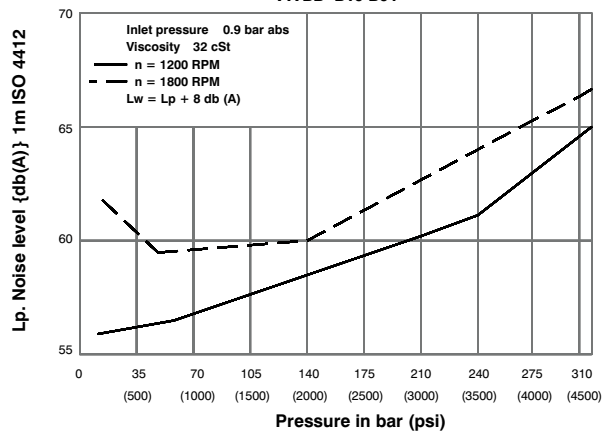
INTERNAL LEAKAGE (TYPICAL)



Do not operate pump more than 5 seconds at any speed or viscosity if internal leakage is more than 50% of theoretical flow. Total leakage is the sum of each section loss at its operating conditions.

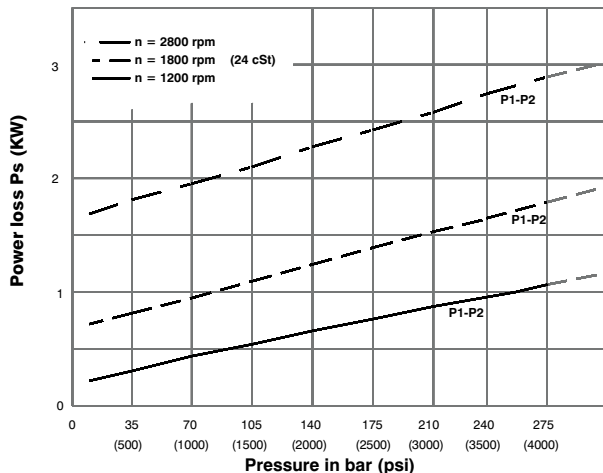
NOISE LEVEL (TYPICAL)

VT7BB- B10-B04



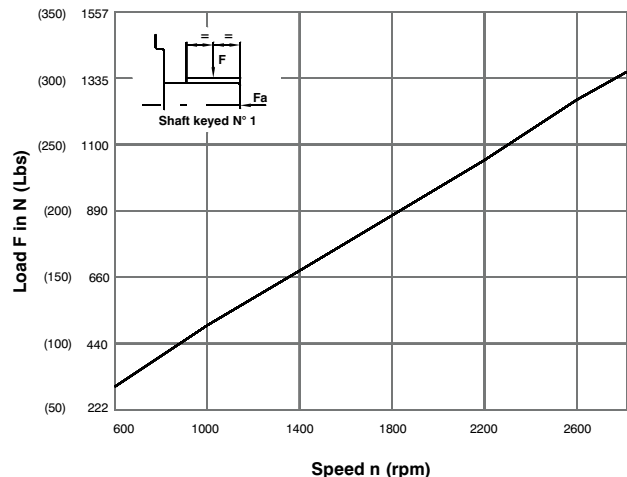
Double pump noise level is given with each section discharging at the pressure noted on the curve.

HYDROMECHANICAL POWER LOSS (TYPICAL)



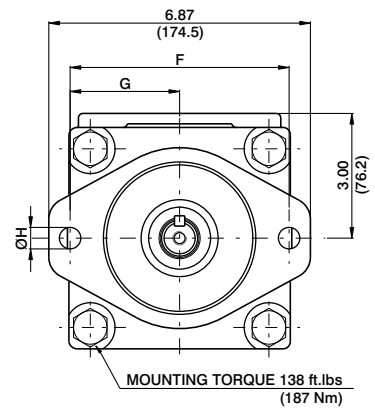
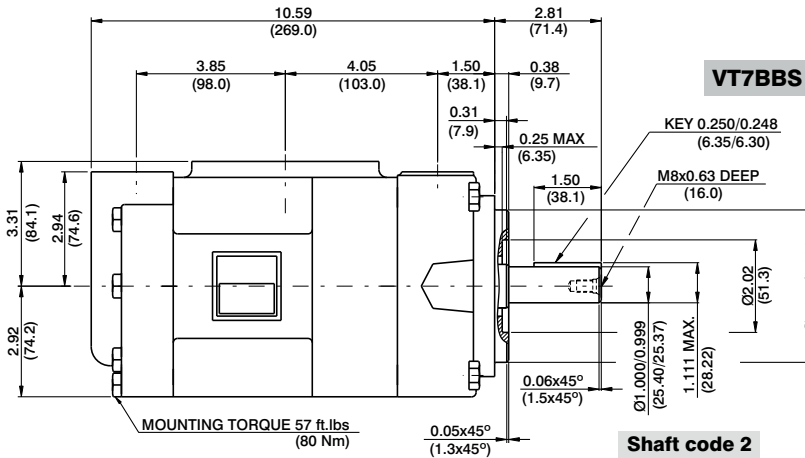
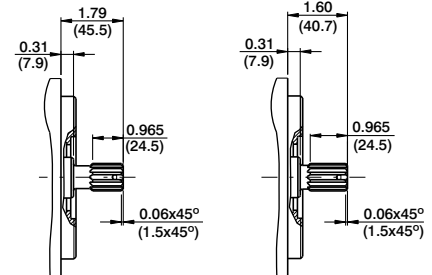
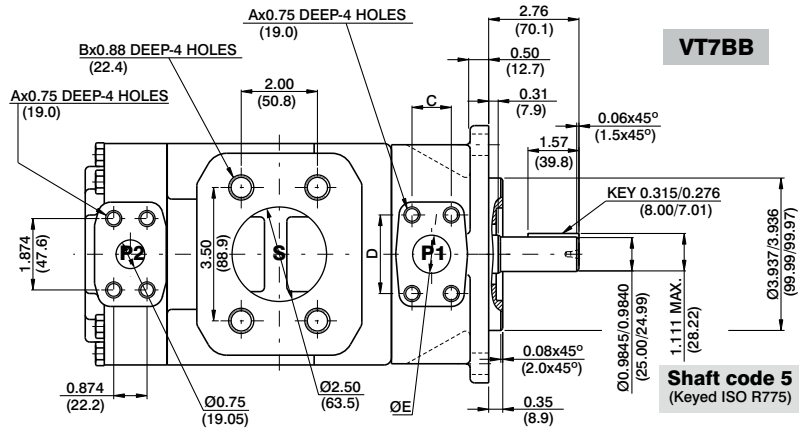
Total hydromechanical power loss is the sum of each section at its operating conditions.

PERMISSIBLE RADIAL LOAD



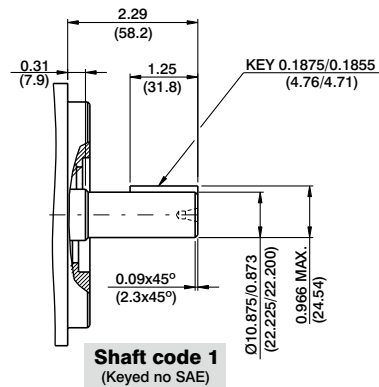
Maximum permissible axial load **Fa** = 800 N (180 Lbs)

HIGH PERFORMANCE VANE PUMP VT7BB / VT7BBS



Shaft	Vp x p max. (P1+P2)
1	12666 (14300)
2	18972 (21420)
3	18246 (20620)
4	28937 (32702)
5	22409 (25325)

	VT7BBS		VT7BB	
	00	01	M0	M1
A	3/8-16 UNC		M10	
B	1/2-13 UNC		M12	
C	1.03 (26.2)	0.874 (22.2)	1.03 (26.2)	0.874 (22.2)
D	2.06 (52.4)	1.874 (47.6)	2.06 (52.4)	1.874 (47.6)
ØE	1.00 (25.4)	0.75 (19.05)	1.00 (25.4)	0.75 (19.05)
F	5.75 (146.05)		5.51 (140.0)	
G	2.87 (73.0)		2.75 (70.0)	
ØH	0.56 (14.3)		0.55 (14.0)	



OPERATING CHARACTERISTICS - TYPICAL (24 cST) (Input power p (KW) for one cartridge only)

Pressure port	Series	Volumetric Displacement Vp		Flow q & n = 1800 rpm						Input power p & n = 1800 rpm					
		p = 0 bar (0 psi)		p = 140 bar (2000 psi)		p = 320 bar (4650 psi)		p = 7 bar (100 psi)		p = 140 bar (2000 psi)		p = 320 bar (4650 psi)			
		in ³ /rev	cm ³ /rev	gpm	lpm	gpm	lpm	gpm	lpm	hp	kw	hp	kw	hp	kw
P1 & P2	B02	0.35	5.7	2.76	10.4	2.33	8.8	1.73	6.5	0.74	0.55	4.02	2.99	8.59	6.40
	B03	0.60	9.8	4.66	17.6	4.23	15.9	3.63	13.7	0.85	0.63	6.24	4.65	13.75	10.25
	B04	0.78	12.8	6.09	23.0	5.66	21.4	5.06	19.2	0.94	0.70	7.90	5.89	17.62	13.13
	B05	0.97	15.9	7.56	28.6	7.13	26.9	6.53	24.7	1.02	0.76	9.62	7.17	21.62	16.12
	B06	1.21	19.8	9.42	35.6	8.99	33.9	8.39	31.7	1.13	0.84	11.79	8.79	26.66	19.88
	B07	1.37	22.5	10.70	40.4	10.27	38.8	9.67	36.5	1.20	0.89	13.29	9.91	30.14	22.47
	B08	1.52	24.9	11.84	44.7	11.41	43.1	10.81	40.9	1.27	0.94	14.62	10.90	33.24	24.78
	B09	1.71	28.0	13.31	50.3	12.87	48.6	12.28	46.4	1.36	1.01	16.35	12.19	37.25	27.77
	B10	1.94	31.8	15.12	57.2	14.69	55.5	14.09	53.4	1.46	1.11	18.45	13.75	42.14	31.42
	B11 ¹⁾	2.13	34.9	16.64	62.9	16.19	61.2	15.61	59.0	1.55	1.15	20.17	15.04	43.22	32.22
	B12 ¹⁾	2.50	40.9	19.50	73.7	19.07	72.1	18.54	70.1	1.72	1.28	23.55	17.56	50.58	37.71
	B14 ¹⁾	2.75	45.1	21.40	80.8	20.95	79.2	20.37	77.0	1.83	1.36	25.80	19.23	55.48	41.37
	B15 ¹⁾	3.05	50.0	23.78	89.8	23.35	88.3	22.88	86.5	1.97	1.47	28.55	21.28	57.35	42.76

1) B11-B12-B14 = 300 bar (4350 psi) & B15 = 280 bar (4060 psi) max. int. And Max. Speed = 3000 rpm

Note: Product details are liable to change without any notice