

ORDERING CODE



VST7C 1 - 017 - 1 R 00 - B 1 - *

Series

Mounting

1 - SAE B

Cam ring

Volumetric displacement cm^3/rev (in^3/rev)

B02 = 5.7 (0.35)

B03 = 9.8 (0.60)

B04 = 12.8 (0.78)

B05 = 15.9 (0.97)

B06 = 19.8 (1.21)

B07 = 22.5 (1.37)

B08 = 24.9 (1.52)

B09 = 28.0 (1.71)

B10 = 31.8 (1.94)

B11 = 34.9 (2.13)

B12 = 40.9 (2.50)

B14 = 45.1 (2.75)

B15 = 50.0 (3.05)

B17 = 58.3 (3.56)

B20 = 63.8 (3.89)

B22 = 70.3 (4.29)

B25 = 79.3 (4.84)

Type of shaft

1 - Keyed (no SAE)

2 - Keyed (no SAE)

3 - Splined (SAE-B)

4 - Splined (SAE-BB)

Modifications

Seal Class

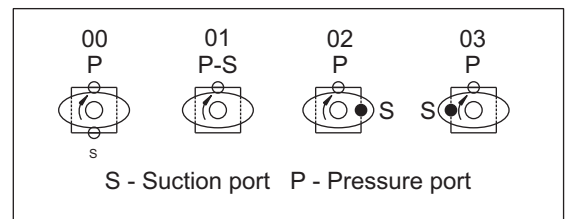
1 - S1 (for mineral oil)

4 - S4 (for fire resistant fluids)

5 - S5 (for mineral oil and fire resistant fluids)

Design Letter

Porting combination



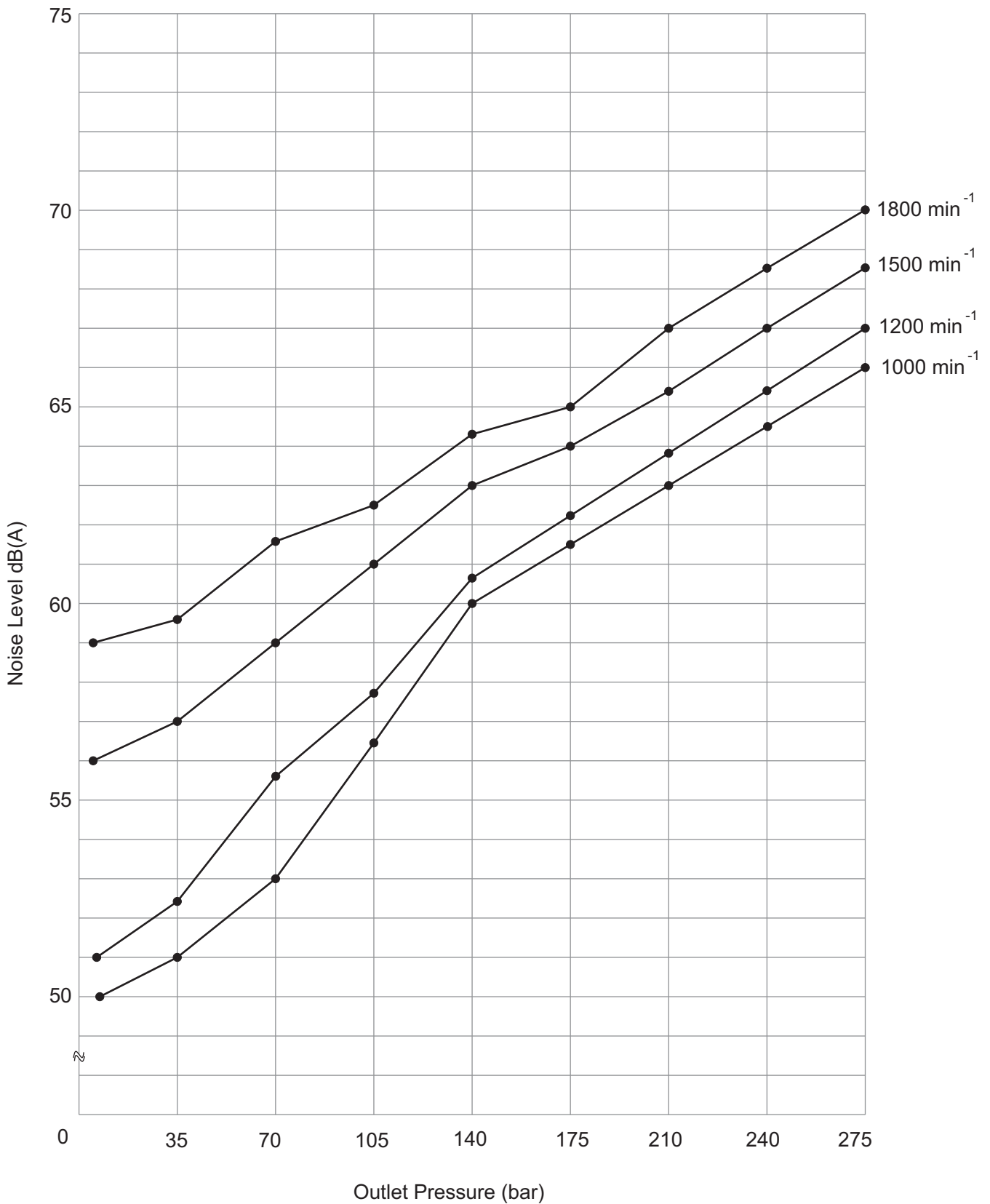
Direction of rotation

(view on shaft end)

R - clockwise

L - counter-clockwise

NOISE LEVEL (TYPICAL)
VST7C - B17



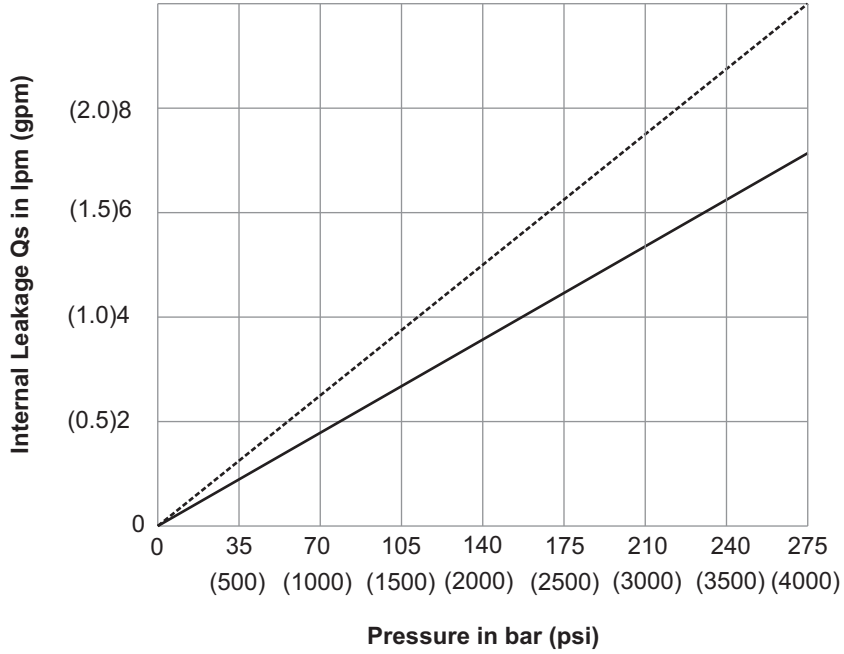
Measurement Conditions: ISO VG32 oil at 50°C and measured 1m from rear of pump cover



SP

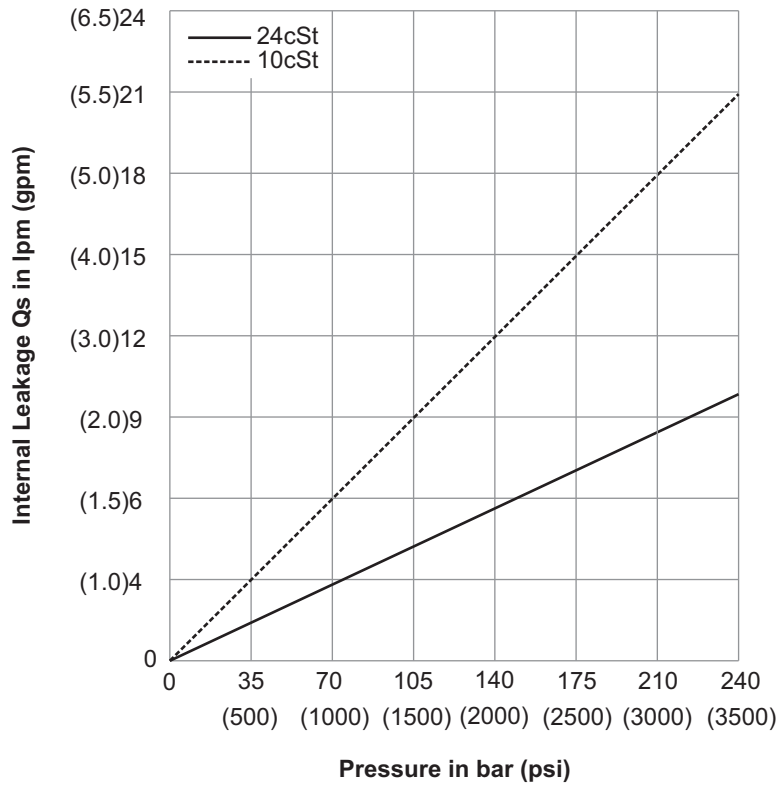
INTERNAL LEAKAGE (TYPICAL)

VST7C B02 TO B15



INTERNAL LEAKAGE (TYPICAL)

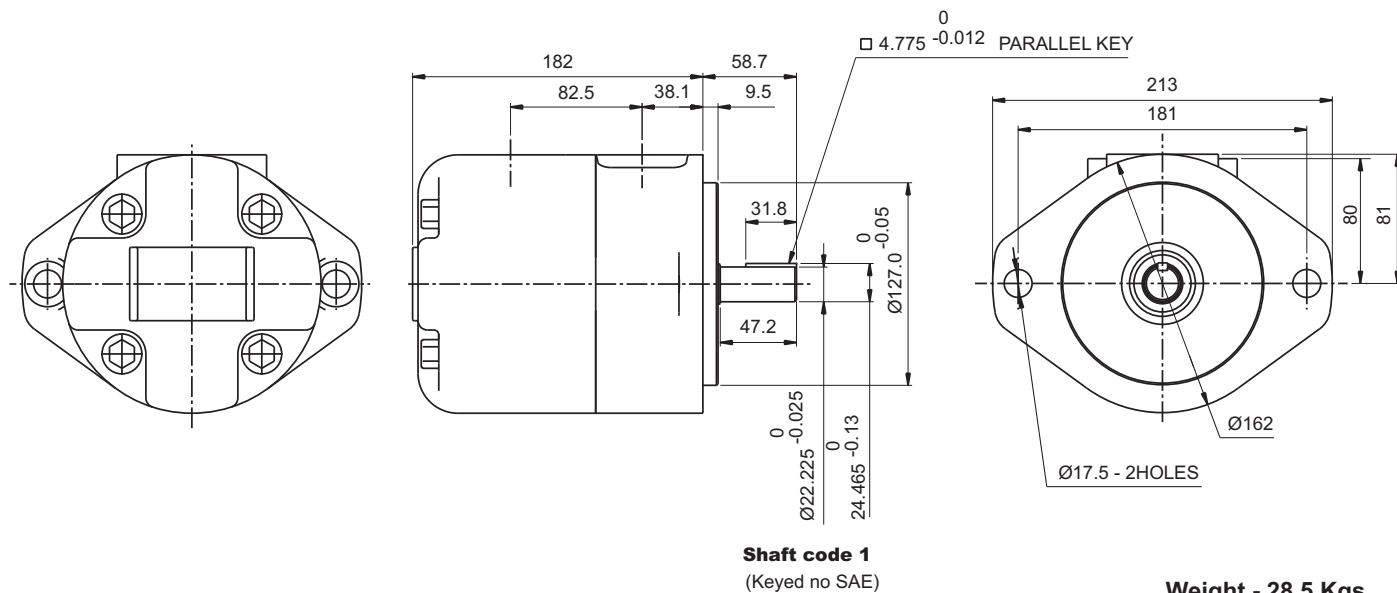
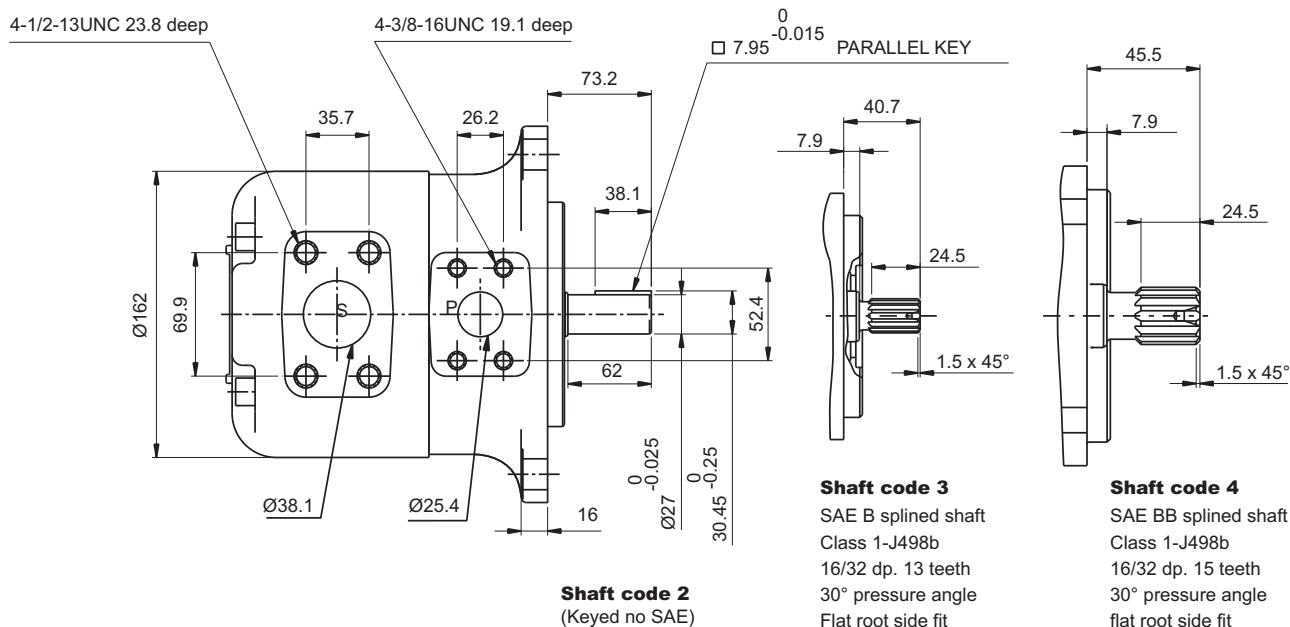
VST7C B17 TO B25



INSTALLATION DRAWING

FLANGE MOUNTING

SP



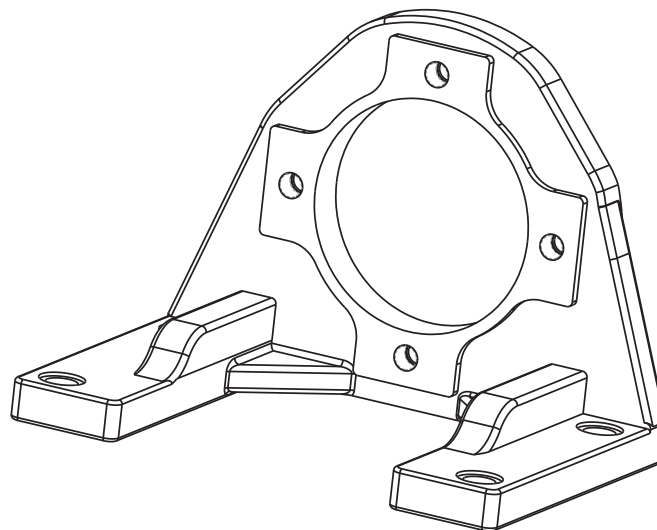
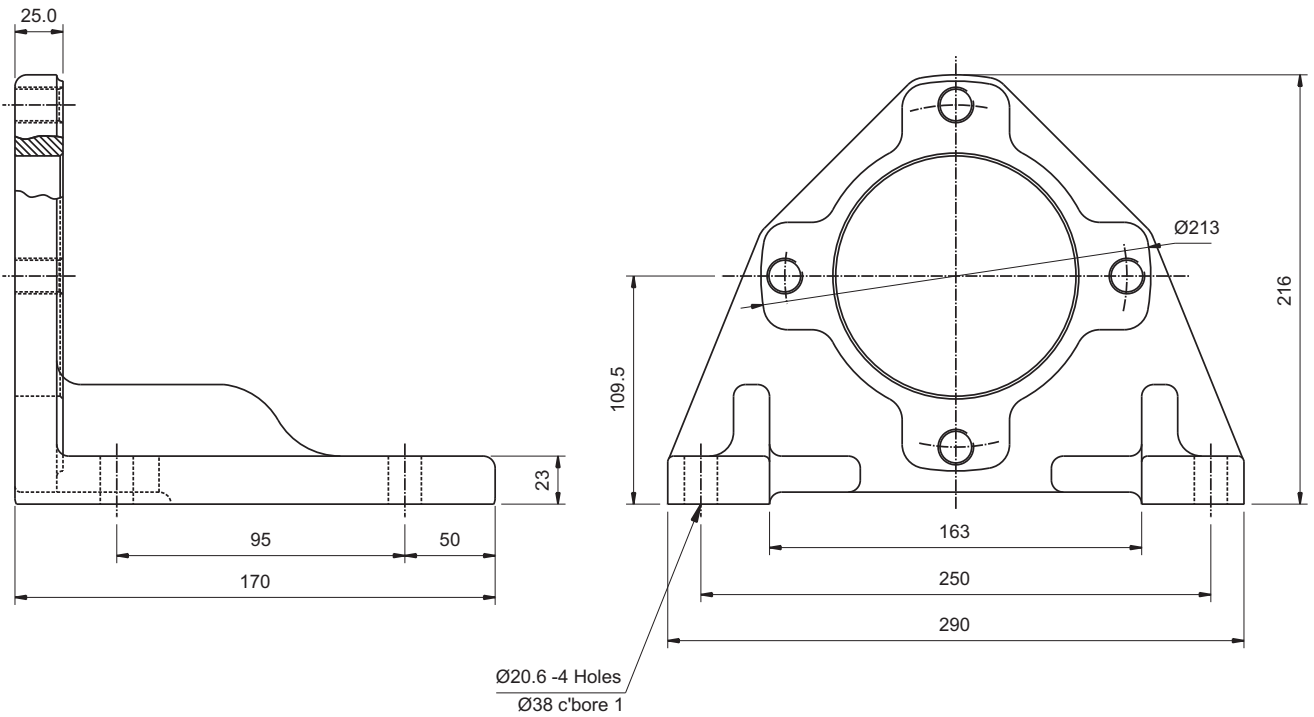
Weight - 28.5 Kgs.

| Shaft torque limits in ³ /revxpsi(ml/revxbar) | |
|--|---------------------|
| Shaft | Vp x p max. (P1+P2) |
| 1 | 14473 (16500) |
| 2 | 12666 (14300) |
| 3 | 18246 (20600) |
| 4 | 19309 (21820) |

INSTALLATION DRAWING

FOOT MOUNTING

SP



Weight-9.5 Kgs.

OPERATING CHARACTERISTICS (24 cSt)

| Pressure port | Series | Volumetric Displacement Vp | | Flow q (lpm) & n = 1500 rpm | | | | | |
|---------------|--------|----------------------------|----------------------|-----------------------------|--------|-------------------|-------|-------------------|-------|
| | | | | p = 0 bar (0 psi) | | p=140bar(2000psi) | | p=240bar(3500psi) | |
| | | in ³ /rev | cm ³ /rev | gpm | lpm | gpm | lpm | gpm | lpm |
| | B02 | 0.35 | 5.7 | 2.29 | 8.70 | 1.72 | 6.50 | 1.32 | 5.0 |
| | B03 | 0.60 | 9.8 | 3.88 | 14.70 | 3.30 | 12.5 | 2.91 | 11.0 |
| | B04 | 0.78 | 12.8 | 5.07 | 19.20 | 4.49 | 17.0 | 4.09 | 15.5 |
| | B05 | 0.97 | 15.9 | 6.31 | 23.90 | 5.68 | 21.5 | 5.28 | 20.0 |
| | B06 | 1.21 | 19.8 | 7.85 | 29.70 | 7.13 | 27.0 | 6.87 | 26.0 |
| | B07 | 1.37 | 22.5 | 8.90 | 33.70 | 8.19 | 31.0 | 7.79 | 29.5 |
| | B08 | 1.52 | 24.9 | 9.88 | 37.40 | 9.25 | 35.0 | 8.85 | 33.5 |
| | B09 | 1.71 | 28.0 | 11.07 | 41.90 | 10.43 | 39.5 | 10.04 | 38.0 |
| | B10 | 1.94 | 31.8 | 12.62 | 47.80 | 11.88 | 45.0 | 11.23 | 42.5 |
| | B11 | 2.13 | 34.9 | 13.81 | 52.26 | 13.21 | 50.0 | 12.81 | 48.5 |
| | B12 | 2.50 | 40.9 | 16.25 | 61.50 | 15.59 | 59.0 | 15.19 | 57.5 |
| | B14 | 2.75 | 45.1 | 17.81 | 67.65 | 17.04 | 64.5 | 16.77 | 63.5 |
| | B15 | 3.08 | 50.5 | 20.25 | 76.64 | 19.55 | 74.0 | 19.15 | 72.5 |
| | B17 | 3.56 | 58.3 | 23.10 | 87.45 | 22.32 | 84.5 | 22.06 | 83.5 |
| | B20 | 3.89 | 63.8 | 25.28 | 95.70 | 24.70 | 93.5 | 24.30 | 92.0 |
| | B22 | 4.29 | 70.3 | 27.87 | 105.5 | 27.21 | 103.0 | 26.81 | 101.5 |
| | B25 | 4.84 | 79.3 | 31.44 | 119.00 | 31.04 | 117.5 | 30.64 | 116.0 |

| Pressure port | Series | Volumetric Displacement Vp | | Input power p & n = 1500 rpm | | | | | |
|---------------|--------|----------------------------|----------------------|------------------------------|------|-------------------|-------|-------------------|-------|
| | | | | p = 7 bar (100psi) | | p=140bar(2000psi) | | p=240bar(3500psi) | |
| | | in ³ /rev | cm ³ /rev | hp | kw | hp | kw | hp | kw |
| | B02 | 0.35 | 5.7 | 0.62 | 0.46 | 3.08 | 2.30 | 5.14 | 3.83 |
| | B03 | 0.60 | 9.8 | 0.71 | 0.53 | 4.96 | 3.70 | 8.35 | 6.23 |
| | B04 | 0.78 | 12.8 | 0.78 | 0.58 | 6.37 | 4.75 | 10.77 | 8.03 |
| | B05 | 0.97 | 15.9 | 0.86 | 0.64 | 7.78 | 5.80 | 13.18 | 9.83 |
| | B06 | 1.21 | 19.8 | 0.95 | 0.71 | 9.49 | 7.08 | 16.40 | 12.23 |
| | B07 | 1.37 | 22.5 | 1.01 | 0.75 | 10.74 | 8.01 | 18.28 | 13.63 |
| | B08 | 1.52 | 24.9 | 1.06 | 0.79 | 12.00 | 8.95 | 20.42 | 15.23 |
| | B09 | 1.71 | 28.0 | 1.14 | 0.85 | 13.39 | 9.99 | 22.84 | 17.03 |
| | B10 | 1.94 | 31.8 | 1.23 | 0.92 | 15.13 | 11.28 | 25.25 | 18.83 |
| | B11 | 2.13 | 34.9 | 1.30 | 0.97 | 16.69 | 12.45 | 28.46 | 21.23 |
| | B12 | 2.50 | 40.9 | 1.45 | 1.08 | 19.51 | 14.55 | 33.29 | 24.83 |
| | B14 | 2.75 | 45.1 | 1.54 | 1.15 | 21.23 | 15.83 | 36.52 | 27.23 |
| | B15 | 3.08 | 50.5 | 1.68 | 1.25 | 24.21 | 18.05 | 41.34 | 30.83 |
| | B17 | 3.56 | 58.3 | 1.85 | 1.38 | 27.49 | 20.50 | 47.24 | 35.23 |
| | B20 | 3.89 | 63.8 | 1.98 | 1.48 | 30.31 | 22.60 | 51.80 | 38.63 |
| | B22 | 4.29 | 70.3 | 2.13 | 1.59 | 33.27 | 24.81 | 56.89 | 42.43 |
| | B25 | 4.84 | 79.3 | 2.35 | 1.75 | 37.82 | 28.20 | 64.68 | 48.23 |

Max. cont. pressure 240 bar upto B12, 210 bar from B14 - B25
 Measurement Conditions: ISO VG32 oil at 50°C

CONSTRUCTION



- 1. Key
- 2. Shaft
- 3. Shaft Seal
- 4. Bearing
- 5. Retaining Ring
- 6. Mounting Flange
- 7. Cartridge
- 8. Housing
- 9. Bolts

