

**VELJAN**

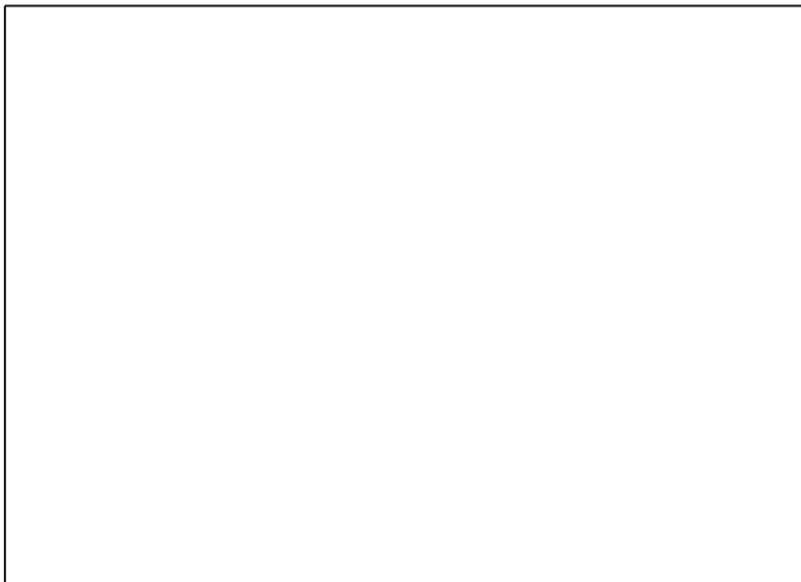
Service Information

SS4-00115

**VM4D -VM4D1**

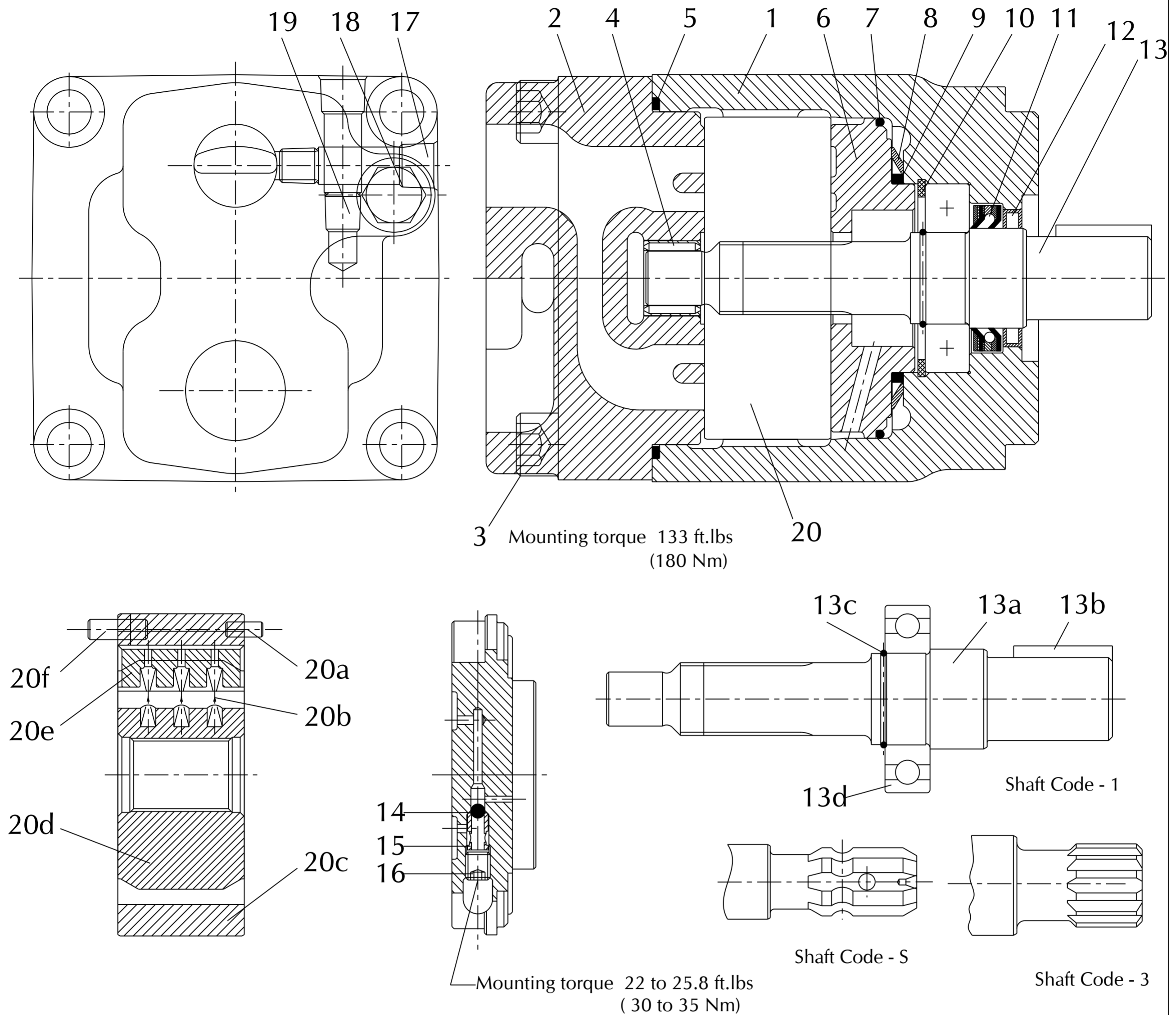
**VM4SD -VM4SD1**

Single vane motor



**PHOTO**

Bold printed are recommended repair kits and assemblies



Item pos.	Description	Part No.				Qty
		VM4D	VM4D1	VM4SD	VM4SD1	
1	Housing (standard)	V034-49756	V034-49756	V034-49756	V034-49756	1
2	End cap rear ported (SAE) (01)	V034-59695	V034-59697	V034-59695	V034-59697	1
	End cap rear ported (SAE) (02)	V034-59694	V034-59696	V034-59694	V034-59696	
	End cap rear ported (standard) (BSP) (04)	V034-66470		V034-66470		
3	Screw	V358-24300	V358-24300	V358-24300	V358-24300	4
4	Needle bearing	V230-82002	V230-82002	V230-82002	V230-82002	1
5	Sq. section seal	V691-10250	V691-10250	V695-10250	V695-10250	1
6	Port plate - pressure	V034-59852	V034-59852	V034-59852	V034-59852	1
7	'O' ring	V691-00246	V691-00246	V695-00246	V695-00246	1
8	Belleville washer	V034-59843	V034-59843	V034-59843	V034-59843	1
9	Sq. section seal	V691-10335	V691-10335	V695-10335	V695-10335	1
10	Retaining ring	V356-32283	V356-32283	V356-32283	V356-32283	1
11	Shaft seal	V637-00003	V637-00003	V637-00003	V637-00003	1
12	Felt wiper	V605-10020	V605-10020	V605-10020	V605-10020	1
13	Shaft and bearing ass'y (code 1)	VS14-26720	VS14-26720	VS14-26720	VS14-26720	1
	Shaft and bearing ass'y (code 3)	VS14-26721	VS14-26721	VS14-26721	VS14-26721	
	Shaft and bearing ass'y (code S)	C-S14-72679	C-S14-72679	C-S14-72679	C-S14-72679	

Item pos.	Description	Part No.				Qty
		VM4D	VM4D1	VM4SD	VM4SD1	
13a	Shaft (keyed) (code 1)	V034-70982	V034-70982	V034-70982	V034-70982	1
	Shaft (splined) (code 3)	V034-70983	V034-70983	V034-70983	V034-70983	
	Shaft (splined) (code S)	V034-70983	V034-70983	V034-70983	V034-70983	
13b	Key	C-034-03126	C-034-03126	C-034-03126	C-034-03126	1
13c	Round section ring	V034-70853	V034-70853	V034-70853	V034-70853	1
13d	Ball bearing	V230-00207	V230-00207	V230-00207	V230-00207	1
14	Ball	V201-06001	V201-06001	V201-06001	V201-06001	1
15	Adaptor valve	V034-53346	V034-53346	V034-53346	V034-53346	1
16	Plug	V312-35056	V312-35056	V312-35056	V312-35056	1
17	Plug		V431-90600		V431-90600	2
18	Plug		V488-35022		V488-35022	1
19	Check valve		VS14-01257		VS14-01257	2
20	Cartridge Kit 062	VS24-10620	VS24-10620	VS24-10627	VS24-10627	1
	Cartridge Kit 074	VS24-10621	VS24-10621	VS24-10628	VS24-10628	1
	Cartridge Kit 088	VS24-10622	VS24-10622	VS24-10629	VS24-10629	1
	Cartridge Kit 102	VS24-10623	VS24-10623	VS24-10630	VS24-10630	1
	Cartridge Kit 113	VS24-10624	VS24-10624	VS24-10631	VS24-10631	1
	Cartridge Kit 128	VS24-10625	VS24-10625	VS24-10632	VS24-10632	1
	Cartridge Kit 138	VS24-10626	VS24-10626	VS24-10633	VS24-10633	1
20a	Dowel pin	V324-21612	V324-21612	V324-21612	V324-21612	1
20b	Vane spring	V034-49743	V034-49743	V034-49743	V034-49743	30
20c	Cam ring 062	V034-59680	V034-59680	V034-59687	V034-59687	1
	Cam ring 074	V034-59681	V034-59681	V034-59688	V034-59688	1
	Cam ring 088	V034-59682	V034-59682	V034-59689	V034-59689	1
	Cam ring 102	V034-59683	V034-59683	V034-59690	V034-59690	1
	Cam ring 113	V034-59684	V034-59684	V034-59691	V034-59691	1
	Cam ring 128	V034-59685	V034-59685	V034-59692	V034-59692	1
	Cam ring 138	V034-59686	V034-59686	V034-59693	V034-59693	1
20d	Rotor	V034-49747	V034-49747	V034-49747	V034-49747	1
20e	Vane	V034-49746	V034-49746	V034-49746	V034-49746	10
20f	Dowel pin	V324-22414	V324-22414	V324-22414	V324-22414	1
5,7 9,11	Seal kit	VS24-10916	VS24-10916	VS24-10916-5	VS24-10916-5	1
2,4	End cap and bearing assembly (04)	VS14-97570		VS14-97570		1
	End cap and bearing assembly (02)	VS24-10616	VS24-10619	VS24-10616	VS24-10619	1
	End cap and bearing assembly (01)	VS24-10617	VS24-10618	VS24-10617	VS24-10618	1
6,14 15,16	Port plate pressure assembly	VS24-10905	VS24-10905	VS24-10905	VS24-10905	1

# MODEL CODE

VM4 \* D \* - 062 - 1 N 00 - B 1 01 \*\*

Series \_\_\_\_\_

\*S = Severe duty motor \_\_\_\_\_

\*1 = internal drain (omit for external drain) \_\_\_\_\_

Cam ring \_\_\_\_\_ Torque \_\_\_\_\_

in.lbf/psi (Nm/bar)

062	=	0.63	( 1.0 )
074	=	0.75	( 1.2 )
088	=	0.88	( 1.4 )
102	=	0.96	( 1.6 )
113	=	1.13	( 1.8 )
128	=	1.28	( 2.1 )
138	=	1.38	( 2.2 )

Type of Shaft \_\_\_\_\_

1 = Keyed ( no SAE )

3 = Keyed ( SAE A )

S = Splined (SAE J718c)

N = bi-directional \_\_\_\_\_

View from shaft end

CW rotation A = inlet

B = outlet

CCW rotation A = outlet

B = inlet

Modification \_\_\_\_\_

Port connections \_\_\_\_\_

01 = SAE threaded port  
SAE drain

02 = SAE 4 bolt flange

UNC threaded - SAE drain

04 = SAE 4 bolt flange

UNC threaded - BSPP drain

M4 = SAE 4 bolt flange

METRIC threaded - BSPP drain

Seal class \_\_\_\_\_

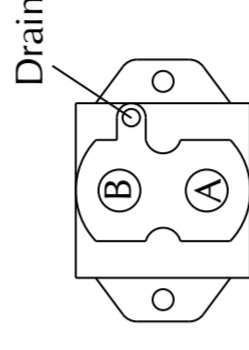
1 = S1 (VM4D/VM4D1)

5 = S5 (VM4SD/VM4SD1)

Design letter \_\_\_\_\_

Porting combination : (00 = Standard)

00



Veijan Hydrair Limited , Balanagar , Hyderabad - 500 037 , INDIA . Phone : + +91 40 3772794,95 FAX : + +91 40 3773963 , E-mail : info@veijan.com

Rights of alteration reserved

Print	
Replace	_____
Revision	30-06-2009

Printed in India